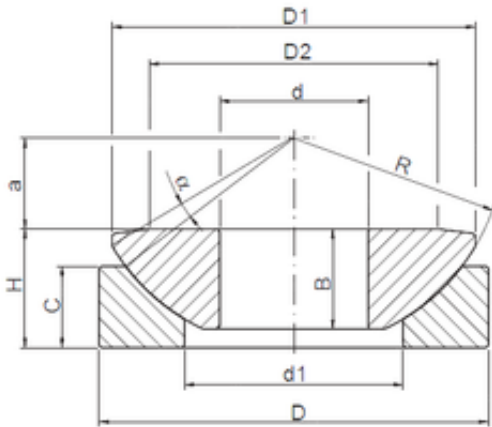




BEARING-MALAYCYA SDN.BHD.



20 mm x 55 mm x 14,3 mm ISO GE20AW plain bearings

Bearing No. GE20AW

Size	20x55x20 mm
Bore Diameter	20 mm
Outer Diameter	55 mm
Width	20 mm
d	20 mm
D	55 mm
H	20 mm
a	12,5 mm
d1	33,5 mm
B	14,3 mm
C	13 mm
D1	50 mm
D2	40 mm
R	60 mm
Angle	6 °

GE20AW Bearing 2D drawings and 3D CAD models