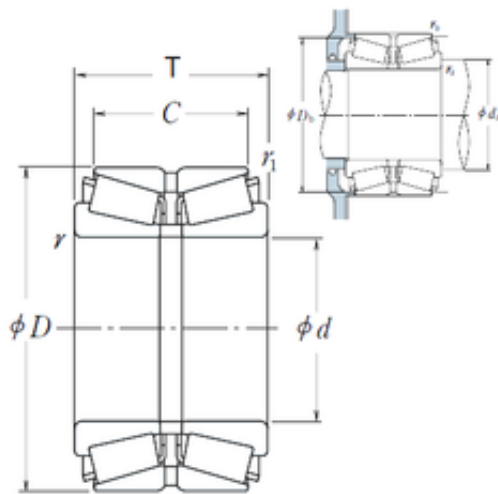




BEARING-MALAYCYA SDN.BHD.



150KBE030+L Bearing 2D drawings and 3D CAD models

NSK 150KBE030+L tapered roller bearings

Bearing No. 150KBE030+L

Size	150x225x70 mm
Bore Diameter	150 mm
Outer Diameter	225 mm
Width	70 mm
d	150 mm
D	225 mm
T	70 mm
C	56 mm
r min.	3 mm
r1 min.	1 mm
da min.	168 mm
Db min.	215 mm
ra max.	2,5 mm
rb max.	1 mm
Weight	8,7 Kg
Basic dynamic load rating (C)	395 kN
Basic static load rating (C0)	685 kN
(Grease) Lubrication Speed	1200 r/min
(Oil) Lubrication Speed	1600 r/min
Calculation factor (e)	0,35
Calculation factor (Y0)	1,9
Calculation factor (Y2)	2,9